

AQUALED™

LED Recessed Light



- Up to 60,000 hour life
- OSRAM Power TOPLED® allows high luminous flux
- 4 LEDs per fixture
- ±60° viewing angle per LED
- Each recessed light uses max. of 0.5 Watts
- Minimal heat generation
- -20°C to +50°C operating temperature
- Withstands loads up to 1,000kg / 2204.62 lbs
- Vibration & shock resistant
- Indoor and outdoor applications

The SYLVANIA AQUALED LED recessed lighting system is ideal for livingrooms, bathrooms and for marking out walkways, gardens or patios.

The SYLVANIA AQUALED system blends innovative LED technology and high-quality finish with aesthetic design. Each recessed floor light is equipped with four long-life OSRAM Power TOPLED in either white or blue. The mounting ring that holds the diffuser is available in chrome or granite—both easily match any décor or surrounding. Used indoors or outdoors, the SYLVANIA AQUALED fixture is remarkably durable. It also consumes very little electricity and can be connected in series with a 10-volt transformer such as OPTOTRONIC® 6W, 25W or 50W.

Product Availability

Wattage (W)	Product	LED Color	Luminaire Finish
0.4	AQUALED/W/ALU/4	White	Chrome
0.5	AQUALED/B/ALU/4	Blue	Chrome
0.4	AQUALED/W/GRAY/4	White	Granite
0.5	AQUALED/B/GRAY/4	Blue	Granite

Application Information

Applications

Livingrooms
Bathrooms
Parks and gardens
Walkways and paths
General lighting indoor and outdoor

Transformer Information

Contact your OSRAM SYLVANIA representative for a list of compatible electronic operating systems.

Application Notes

1. Indoor and outdoor use
2. Shock-resistant
3. No IR/UV radiation
4. Power supplies for operation—sold separately
5. Installation Instructions:
 - To connect the fitting, insert the 18AWG supply cable through the casing and the connector fittings.
 - Connect the supply cable to the terminals on the back of the LED module.
 - Insert the LED module into the inner casing and screw in place.
 - Screw the diffuser and mounting ring to the inner casing.
 - Insert the AQUALED into the outer casing and screw the fixing ring to the casing.
 - Once installed and connected to the transformer, the AQUALED recessed floor light is ready for use.



Ratings

Parameter	Symbol	Value	Units
Operating Temperature	T _{op}	-20...+50	°C
Surface Temperature	T _{su}	40	°C
Maximum Voltage	V _{max}	11	V _{dc}
Reverse Voltage	V _R	11	V _{dc}
Luminaire Weight	W _{lum}	0.2	kg
Load Impact	I _{load}	1000	kg
Remote Mounting with 6W/10V Transformer	M ₆	26 (8)	Feet (m)
Remote Mounting with 25W/10V Transformer	M ₂₅	10 (3)	Feet (m)
Remote Mounting with 50W/10V Transformer	M ₅₀	8 (2.4)	Feet (m)

Luminaire and Power Supply Ordering Information

Fixture Item Number	Fixture Type	Fixture Finish/ LED Color	No. of OSRAM POWER TOPLED® per Fixture	Fixture Wattage (W)	Fixture Voltage (V _{dc})
72002	AQUALED/W/ALU/4	Chrome/WHITE	4 (OS-LM03A-W1)	0.4	10
72003	AQUALED/B/ALU/4	Chrome/BLUE	4 (OS-LM03A-B1)	0.5	10
72004	AQUALED/W/GRAY/4	Granite/WHITE	4 (OS-LM03A-W1)	0.4	10
72005	AQUALED/B/GRAY/4	Granite/BLUE	4 (OS-LM03A-B1)	0.5	10

Power Supply* Item Number	Description	Output Voltage (V _{dc})	Min. Power (W)	Max. Power (W)	FCC 47CFR Part 15 / UL, CSA	Max. No. AQUALED (Blue)
51500	OT6/100-240/10COS	10.5±0.5	0.2	6	Residential / UL1310 / CSA / Class 2	12 (10)
51505	OT25/120/10	10.5±1.0	3	25	Commercial / UL1310 / CSA / UL48 / Class 2	50 (40)
51508	OT50/120/10	10.5±1.0	10	50	Commercial / UL1310 / CSA / UL48 / Class 2	100 (80)

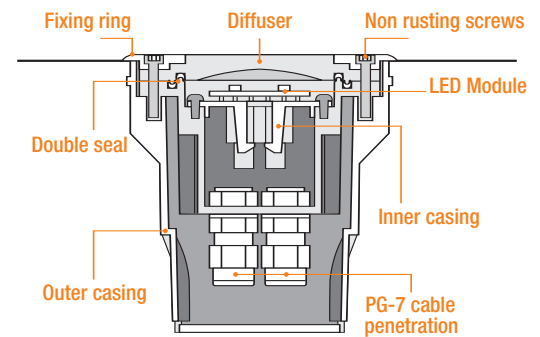
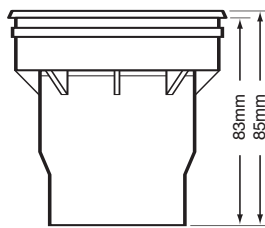
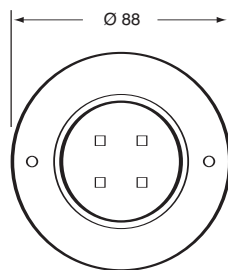
Dimmable Power Supply System (0-100%)

51500	OT6/100-240/10COS	10.5±0.5		4	Residential / UL1310 / CSA / Class 2	8 (6)
51516	OTDIM					

* not included – sold separately

Dimensions

AQUALED Luminaire



OSRAM SYLVANIA
National Customer
Service and Sales Center
18725 N. Union Street
Westfield, IN 46074

Industrial & Commercial

Phone: 1-800-255-5042
Fax: 1-800-255-5043

National Accounts

Phone: 1-800-562-4671
Fax: 1-800-562-4674

OEM/Specialty Markets

Phone: 1-800-762-7191
Fax: 1-800-762-7192

Photo-Optic

Phone: 1-888-677-2627
Fax: 1-800-762-7192

In Canada
OSRAM SYLVANIA LTD.
Headquarters
2001 Drew Road
Mississauga, ON L5S 1S4

Industrial & Commercial

Phone: 1-800-263-2852
Fax: 1-800-667-6772

Special Markets

Phone: 1-800-265-2852
Fax: 1-800-667-6772

Ordering Guide

AQUALED	/	W	/	ALU	/	4
AQUALED Luminaire		LED Color Code W= White B= Blue		Luminaire Finish ALU= Chrome Finish GRAY= Granite Finish		No. of OSRAM POWER TOPLED

SYLVANIA is a registered trademark and AQUALED is a trademark of OSRAM SYLVANIA Inc.
AQUALED is a trademark of OSRAM SYLVANIA Inc.
OPTOTRONIC is a registered trademark of OSRAM GmbH
TOPLED is a registered trademark of Siemens Aktiengesellschaft Corporation.

Visit our website: www.sylvania.com