

175-WATT PAR38 HEAT LAMP



- 5000 hour average rated life
- 30° flood lens; even heat distribution across the beam
- Aluminum reflector coating for best heat reflection
- Hard glass reflector and lens for durability

SYLVANIA 175W heat lamps are ideal for use wherever additional heat might be necessary, from farms to restaurants.

SYLVANIA 175W heat lamps may be used in hotels and homes for bathroom applications, in livestock farming to provide extra heat for animals, or in restaurants to maintain food temperature.

Because of their hard glass exterior, SYLVANIA heat lamps act as their own fixture, reducing installation costs.

Product Availability

Wattage	Bulb Shape
175	175WPAR38HEAT

Application Information

Applications

Livestock Farming
Hotels
Homes
Restaurants

Application Notes

1. Hard Glass Reflector
2. Standard Line Voltage
3. Medium Screw Base

Fixture Availability

Any 175W capable PAR38 fixture

Sample Specification

Lamp shall be a SYLVANIA PAR38 heat lamp with a 5,000 hour rated life and shall be constructed with hard glass. Lamp shall be energy efficient and lamp base shall contain no lead solder to make the disposal of used lamps easier for the end user.

Ordering and Specification Information

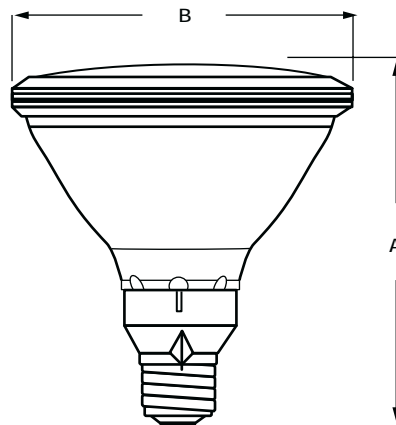
Item Number	Order Abbreviation	Watts	Base	Avg. Rated Life (hrs.)	Volts	MOL
13836	175WPAR38HEAT	175	E26 Medium Skirted	5000	120	5 5/16

Ordering Guide

175W	PAR38	HEAT
Wattage: 175W	Parabolic Reflector 38 = 4 3/4" diameter	Heat Lamp

Dimensions

Lamp Type	(A) Maximum Overall Length (in.)	(B) Diameter (in.)
PAR38 Heat	5 5/16	4 3/4



OSRAM SYLVANIA
National Customer
Support Center
18725 N. Union Street
Westfield, IN 46074

Industrial & Commercial

Phone: 1-800-255-5042
Fax: 1-800-255-5043

National Accounts

Phone: 1-800-562-4671
Fax: 1-800-562-4674

OEM & Special Markets

Phone: 1-800-762-7191
Fax: 1-800-762-7192

Photo-Optic

Phone: 1-888-677-2627
Fax: 1-800-762-7192

In Canada
OSRAM SYLVANIA LTD.
Headquarters
2001 Drew Road
Mississauga, ON L5S 1S4

Industrial & Commercial

Phone: 1-800-263-2852
Fax: 1-800-667-6772

Special Markets

Phone: 1-800-265-2852
Fax: 1-800-667-6772