

METALARC® / LUMALUX® LAMP & BALLAST KITS

Metal Halide / High Pressure Sodium Lamps & Magnetic Ballasts



The SYLVANIA high intensity discharge lamp and ballast kits combine premium metal halide and high pressure sodium lamps with high quality magnetic ballasts in one simple package.

Each lamp and ballast kit comes with one metal halide or high pressure sodium lamp along with the corresponding multi-tap or SUPER5 ANSI-rated magnetic ballast. Mounting brackets and hardware completes the kit to ensure quick installation and unnecessary return trips for additional parts.

Ideal for situations where quick lamp & ballast replacement is needed, these kits offer the perfect, one-stop system solution.

- Lamp and ballast kits include:
 - 1 lamp
 - 1 multi-tap or SUPER5 ANSI rated ballast
 - Capacitor
 - Ignitor (when required)
 - Mounting brackets and hardware
 - Installation Instructions
- Premium METALARC metal halide lamp technology
- Superior performance LUMALUX high pressure sodium lamps
- All HID lamps offer long life and high efficacy
- Multi-tap ballast for 120, 208, 240 and 277V applications, minimize the hassles associated with selecting the wrong voltage product
- SUPER5 ballast for 120, 208, 240, 277, and 480V applications, minimize the hassles associated with selecting the wrong voltage product
- Reduce return trips for additional parts with one box containing everything you need
- Single point of contact for lamp and ballast questions, technical and warranty issues

Product Availability

Wattage	Lamp Type	Ballast Type
100	High Pressure Sodium – ET23.5	HX-HPF, 120/208/240/277
150	High Pressure Sodium – ET23.5, 55V	HX-HPF, 120/208/240/277
175	Metal Halide – BT28	CWA, 120/208/240/277/480
250	Metal Halide – BT28 High Pressure Sodium – ET18	CWA, 120/208/240/277/480
360	Metal Halide – BT37	CWA, 120/208/240/277/480
400	Metal Halide – BT37 High Pressure Sodium – ET18	CWA, 120/208/240/277/480
1000	Metal Halide – BT56 High Pressure Sodium – E25	CWA, 120/208/240/277/480

Application Information

Applications

Indoor and outdoor, industrial and commercial, schools / universities, shopping malls, warehouses, retail facilities, area lighting, street lighting, manufacturing facilities, parking lots and garages.

Fixtures

Contact your local fixture agent for available fixtures.

Application Notes

1. The 360W, 400W and 1000W METALARC lamps may be operated in open or enclosed fixtures provided certain operating conditions are followed. Read and understand lamp warnings.
2. Both the 175W and 250W metal halide lamps must be operated in enclosed fixtures only.
3. All metal halide and high pressure sodium lamps may be operated in any position except for 360W lamps.



Ordering and Specification Information

LAMP & BALLAST KIT INFORMATION

Item Number	Ordering Abbreviation	Lamp Abbreviation	Ballast Abbreviation
64782	M175/U/LAMP/SUPER5 BALLAST KIT	M175/U	M175/SUPER5-KIT
64784	M250/U/LAMP/SUPER5 BALLAST KIT	M250/U	M250/SUPER5-KIT
64847	MS360/SS/LAMPS/SUPER5 BALLAST KIT	MS360/SS/BU-HOR	M400/SUPER5-KIT
64781	M400/U/LAMP/SUPER5 BALLAST KIT	M400/U	M400/SUPER5-KIT
64848	M1000/LAMP/SUPER5 BALLAST KIT	M1000/U	M1000/SUPER5-KIT
67621	LU100/ECO/LAMP/MULTIBALLAST KIT	LU100/ECO	LU100/MULTI-KIT
67629	LU150/55/ECO/LAMP/MULTIBALLAST KIT	LU150/55/ECO	LU150/MULTI-KIT
67622	LU250/ECO/LAMP/SUPER5 BALLAST KIT	LU250/ECO	LU250/SUPER5-KIT
67623	LU400/ECO/LAMP/SUPER5 BALLAST KIT	LU400/ECO	LU400/SUPER5-KIT
67664	LU1000/LAMP/SUPER5 BALLAST KIT	LU1000	LU1000/SUPER5-KIT

LAMP INFORMATION

Kit Item Number	Ordering Abbreviation	Watts	Bulb	Base ²	ANSI Ballast	Avg. Rated Life (hrs.)	Initial Lumens	Mean Lumens	CCT	CRI
64782	M175/U	175	BT28	Mogul	M57/E	10,000V 7500H	14,400V 12,800H	9300V 9300H	4200K	65
64784	M250/U	250	BT28	Mogul	M58/E	10,000V 10,000H	22,000V 20,000H	17,000V 14,100H	4200K	65
64847	MS360/SS/BU-HOR	360	BT37	Mogul	M59/S	20,000V 15,000H	36,000V 30,000H	23,500V 19,000H	4000	65
64781	M400/U ¹	400	BT37	Mogul	M59/S	20,000V 15,000H	36,000V 32,000H	23,500V 20,500H	4000K	65
64848	M1000/U	1000	BT56	Mogul	M47/S	18,000V 12,000H	110,000V 107,800H	86,000V 86,000H	4000	65
67621	LU100/ECO	100	ET23.5	Mogul	S54	24,000+	9500	8000	2100	22
67629	LU150/55/ECO	150	ET23.5	Mogul	S55	24,000+	16,000	13,800	2100	22
67622	LU250/ECO	250	ET18	Mogul	S50	24,000+	29,000	26,100	2100	21
67623	LU400/ECO	400	ET18	Mogul	S51	24,000+	50,000	45,000	2100	21
67664	LU1000	1000	E25	Mogul	S52	24,000+	130,000	124,000	2100	22

¹ Lamps may be operated in OPEN fixtures if operated vertically within 15 degrees. Please read and understand lamp warning.

² For lamp wattages of 360W and greater, it is recommended that lampholders with nickel plated copper alloy center contacts (with spring) should be used rather than contacts made of stainless steel.

BALLAST INFORMATION

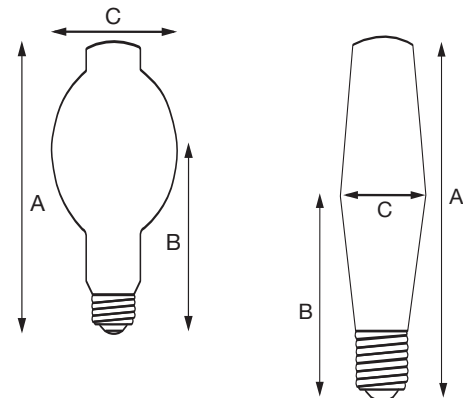
Kit Item Number	Ordering Abbreviation	Input Voltage (VAC)	ANSI Code	Input Wattage (W)	Max. Line Current (Amps)	Open Circuit Voltage	Circuit Type
64782	M175/SUPER5-KIT	120/208/240/277/480	M57/H39	210	1.96	305	CWA
64784	M250/SUPER5-KIT	120/208/240/277/480	M58/H37	290	2.50	300	CWA
64847	M400/SUPER5-KIT	120/208/240/277/480	M59/H33	415	4.00	300	CWA
64781	M400/SUPER5-KIT	120/208/240/277/480	M59/H33	458	4.00	300	CWA
67621	LU100/MULTI-KIT	120/208/240/277	S54	128	2.00	120	HX-HPF
67629	LU150/MULTI-KIT	120/208/240/277	S55	188	2.81	120	HX-HPF
67622	LU250/SUPER5-KIT	120/208/240/277/480	S50	295	2.50	190	CWA
67623	LU400/SUPER5-KIT	120/208/240/277/480	S51	464	3.80	190	CWA
64848	M1000/SUPER5-KIT	120/208/240/277/480	M47/H36	1080	9.2	420	CWA
67664	LU1000/SUPER5-KIT	120/208/240/277/480	S52	1100	9.5	440	CWA

Ballast is a UL Recognized Component in US and Canada.

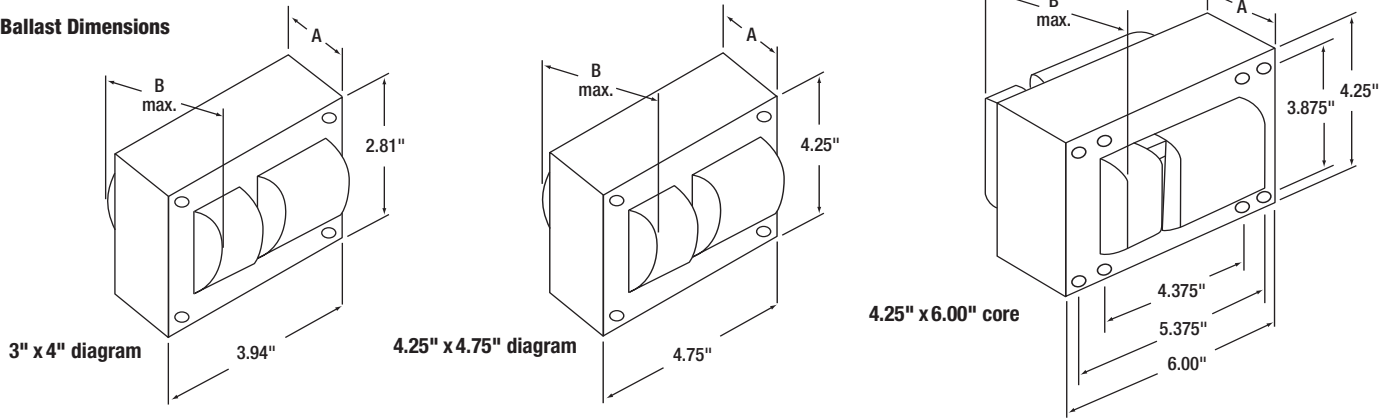
Dimensions

Lamp Dimensions

	(A) MOL	(B) LCL	(C) Bulb Diameter
ET18	9.69"	5.75"	2.25"
ET23.5	7.50"	5.00"	2.94"
E25	15.08"	8.75"	3.1"
BT28	8.31"	5.00"	3.50"
BT37	11.50"	7.00"	4.63"
BT56	15.4"	9.5"	7.0"

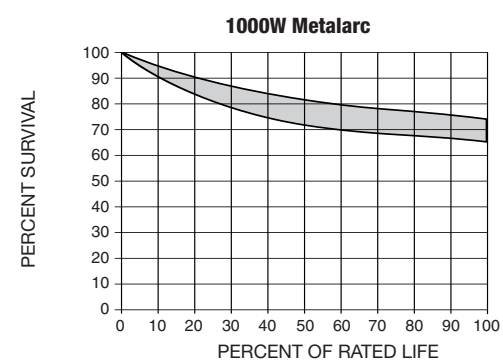
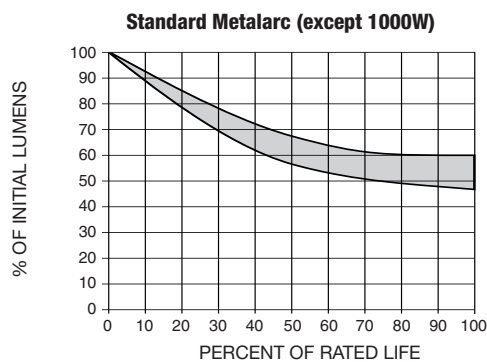
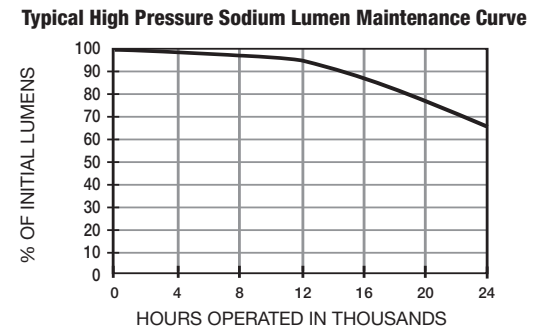
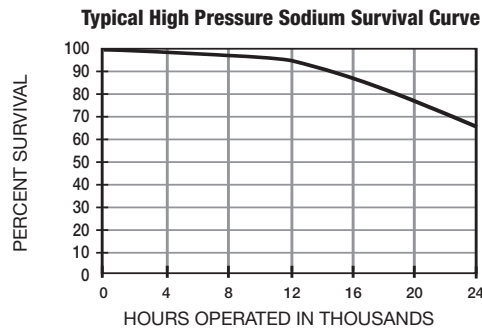
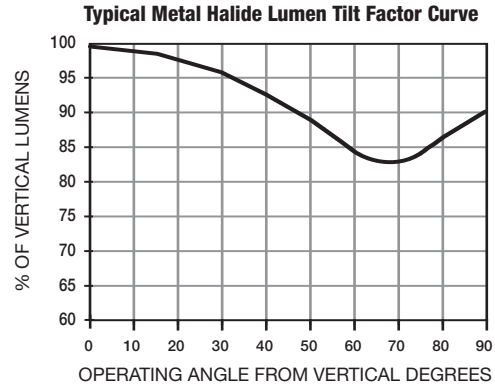
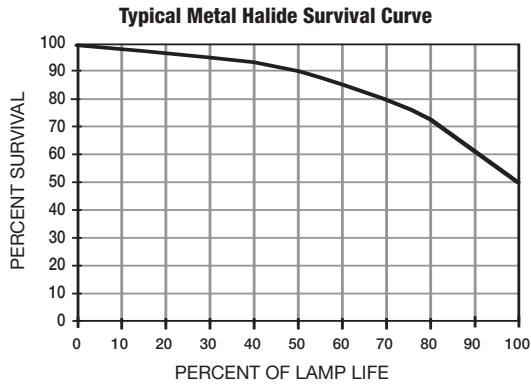


Ballast Dimensions



Item Number	Ordering Abbreviation	Net Weight (lbs.)	Variable Dimensions (inches)		Drawing (inches)	Wiring Diagram
			A	B		
47243	M175/SUPER5-KIT	8	2.48	4.00	3 X 4	2
47265	M250/SUPER5-KIT	10	1.50	3.35	4.25 X 4.75	2
47338	M400/SUPER5-KIT	14	2.20	4.20	4.25 X 4.75	2
47316	LU100/MULTI-KIT	7	2.00	3.40	3 X 4	1
47335	LU150/MULTI-KIT	8	2.50	3.88	3 X 4	1
47634	LU250/SUPER5-KIT	13	2.00	4.00	4.25 X 4.75	3
47647	LU400/SUPER5-KIT	15	2.72	4.80	4.25 X 4.75	3
47427	M1000/SUPER5-KIT	23.5	3.0	5.1	4.25 X 6	2
47659	LU1000/SUPER5-KIT	30.0	3.99	6.25	4.25 X 6	3

Technical Information



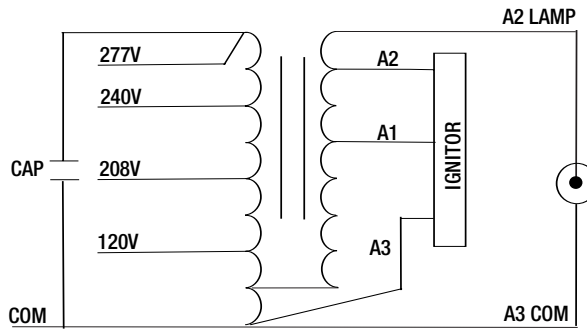
Sample Lamp Specification

Lamp(s) shall be (a) METALARC® metal halide lamp(s) rated for horizontal operating positions, and constructed with a lead-free welded base and lead-free glass.

Lamp(s) shall be (a) LUMALUX® / ECO® high pressure sodium lamp(s) that pass the Federal TCLP limits. Lamps shall include a welded, lead-free brass base, a lead-free glass outer jacket and shall be a direct retrofit for standard high pressure sodium.

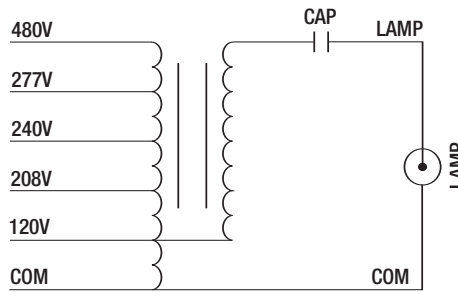
Wiring Diagrams

Diagram 1



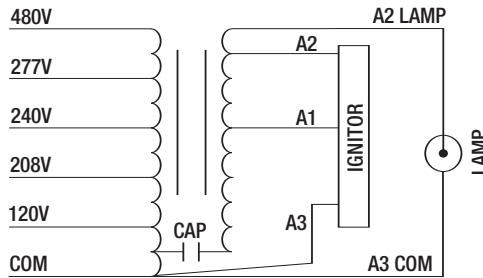
**MULTI VOLTAGE
120/208/240/277 VOLT CONNECTION**

Diagram 2



**SUPER5
120/208/240/277/480 VOLT CONNECTION**

Diagram 3



**SUPER5
120/208/240/277/480 VOLT CONNECTION**

OSRAM SYLVANIA
National Customer
Service and Sales Center
18725 N. Union Street
Westfield, IN 46074

Industrial & Commercial

Phone: 1-800-255-5042
Fax: 1-800-255-5043

National Accounts

Phone: 1-800-562-4671
Fax: 1-800-562-4674

OEM/Specialty Markets

Phone: 1-800-762-7191
Fax: 1-800-762-7192

Photo-Optic

Phone: 1-888-677-2627
Fax: 1-800-762-7192

In Canada
OSRAM SYLVANIA LTD.
Headquarters
2001 Drew Road
Mississauga, ON L5S 1S4

Industrial & Commercial

Phone: 1-800-263-2852
Fax: 1-800-667-6772

Special Markets

Phone: 1-800-265-2852
Fax: 1-800-667-6772

Ordering Guide

M	175	/	SS	/	U	/	MULTI/SUPER5-BALLAST KIT
M = METALARC	Wattage:		Super Saver		Operating Position:		MULTI-TAP or SUPER5 Ballast Kit
MS = METALARC SUPER	100, 150,				Universal or BU-HOR		
LU = LUMALUX	175, 250, 360,						
	400 or 1000 watts						

WARNING: Metal halide lamps can cause serious skin burn and eye inflammation from shortwave Ultraviolet radiation if the outer envelope of the lamp is broken or punctured. Do not use where people will remain for more than a few minutes unless adequate shielding or other safety precautions are used. Lamps that will automatically extinguish when the outer envelope is broken or punctured are commercially available.