

CAPSYLITE® PAR16 GU10



- 2000 hour average rated life
- UV-Stop quartz glass
- Bright white, high quality halogen light
- 120 Volt operation
- Clear Cover Lens
- Facetted aluminized reflector

ECOLOGIC® is a comprehensive program of OSRAM SYLVANIA focused on addressing environmental issues at all stages of lamp life.



The SYLVANIA CAPSYLITE® PAR16 GU10 lamp is a very attractive alternative to low voltage reflector lamps.

SYLVANIA's new PAR16 GU10 lamp meets the demand for a compact and cost efficient light source that does not need a transformer. A fully dimmable reflector flood lamp, it emits a 40° beam of brilliant, white halogen light and is rated for a 2000 hour average life.

Because the PAR16 GU10 operates at 120V, it does not need a transformer, simplifying fixture design and reducing fixture costs. In addition, the lamp is rated for use in unshielded fixtures so it eliminates the cost and weight of a cover lens.

The "GU10" in PAR16 GU10 stands for the unique base design used by the lamp. The IEC standard base has a unique twist-in, twist-out design for easy installation into small spaces. Because of this base design and the overall small size of the light source, the PAR16 GU10 is perfect for use in compact fixtures.

Product Availability

| Wattage | Beam Angle | Base |
|---------|------------|------|
| 50 | 40° | GU10 |

Application Information

Applications

Small Aperture Down Lighting
Residential and Commercial Applications
Task Lighting

Application Notes

1. Lamp may be used in open fixtures
2. No additional fusing is necessary
3. Lamp may be burned in any position
4. UV-stop quartz glass for protection of light sensitive materials

Sample Specification

Lamp shall be CAPSYLITE halogen PAR16 lamp with a 2000 hour average rated life and GU10 base. Lamp shall be energy efficient and pass TCLP to make the disposal of the used lamp easier for the end user.

Ordering and Specification Information

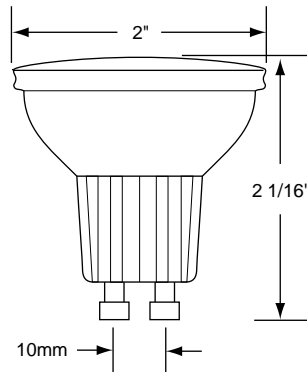
| Item Number | Order Abbreviation | Watts | Base | Avg. Rated Life (hrs.)* | Volts | Lumens* | CBCP | Beam Angle | MOL |
|-------------|-----------------------|-------|------|-------------------------|-------|---------|------|------------|---------|
| 59024 | 50PAR16/CAP/GU10/FL40 | 50 | GU10 | 2000 | 120 | 400 | 800 | 40° | 2 1/16" |

*Initial performance ratings

Ordering Guide

| 50 | PAR16 | / | CAP | / | GU10 | / | FL 40 |
|-----------------|---|---|--------------------|---|----------------|---|---------------------------------|
| Wattage: 50W | Parabolic Aluminized Reflector Diameter 16/8" = 2" | | SYLVANIA CAPSYLITE | | Base type GU10 | | Flood lamp 40° Beam Angle |

Dimensions



| | (A) MOL (in.) | (B) Bulb Diameter (in.) | (C) Pin Spacing |
|------------|---------------------|-------------------------------|--------------------|
| PAR16/GU10 | 2 1/16" | 2.00" | 10mm |

OSRAM SYLVANIA
National Customer
Support Center
18725 N. Union Street
Westfield, IN 46074

Industrial & Commercial

Phone: 1-800-255-5042
Fax: 1-800-255-5043

National Accounts

Phone: 1-800-562-4671
Fax: 1-800-562-4674

OEM & Special Markets

Phone: 1-800-762-7191
Fax: 1-800-762-7192

Photo-Optic

Phone: 1-888-677-2627
Fax: 1-800-762-7192

In Canada
OSRAM SYLVANIA LTD.
Headquarters
2001 Drew Road
Mississauga, ON L5S 1S4

Industrial & Commercial

Phone: 1-800-263-2852
Fax: 1-800-667-6772

Special Markets

Phone: 1-800-265-2852
Fax: 1-800-667-6772