

AR70 and AR111

Low Voltage Halogen Lamps



- Unparalleled beam performance
- Aluminum reflectors
- 3000-hour average rated life
- UV-stop capsule
- Tightly controlled beam with sharp cut-off
- Suitable for use without shielding*

*SYLVANIA does not require lamp containment shielding. Consult most recent UL standards for luminaire requirements.

SYLVANIA AR lamps are outstanding low voltage halogen light sources that produce an unparalleled beam of controlled light. The high precision aluminum reflectors contain a low-pressure halogen light source made with UV-stop quartz. The result of this capsule construction is that the lamps do not require shielding.*

The combination of an axial filament capsule, a computer designed reflector and a cap to eliminate capsule glare creates a lamp with exceptional performance: High center beam candle power values; a smooth, even beam; and a clear, sharp cutoff.

Product Availability

Product	Beam Angle
AR70 (20Watt & 50Watt)	Spot 8°, Flood 25°
AR111	Super Spot 4°
35Watt – 6Volt	Super Spot 4°, Spot 8°, Flood 25°
35Watt	Super Spot 4°, Spot 8°, Flood 25°
50Watt	Spot 8°, Flood 25°, Wide Flood 45°
75Watt	Spot 8°, Flood 25°, Wide Flood 45°
100Watt	Spot 8°, Flood 25°, Wide Flood 45°

Application Information

Applications	AR111	AR70
Atriums	<ul style="list-style-type: none"> • Exceptional beam control • Fully dimmable • Socket: G53 (push in or screw terminal) • Long distance throws (up to 50,000 CBCP) • Interchangeable with PAR36 in shielded fixtures • For use in downlight, track and accent fixtures 	<ul style="list-style-type: none"> • Exceptional beam control • Fully dimmable • Socket; BA15D • Smooth, non scattered beam pattern • Small profile • Long distance throws • For use in downlight, track and accent fixtures
Retail		
Artwork and sculpture		
High-end residential/commercial		

Fixture Availability

AR111		AR70	
Belfer	Kramer	Belfer	Kurt Versen
Capri	Kirlin	Capri	Lightolier
CSL	Kurt Versen	Cooper	LSI
Flos	Lightolier	Edison Price	Omega
		Kirlin	Roje
			Staff
			Translite



Sample Specification

AR70/AR111

Lamp(s) shall be (a) 12V ____ halogen lamp(s) (AR70,AR111) with a UV-stop capsule, an aluminum reflector and a glare guard (70 or 111-mm diameter). Lamp(s) shall be ____ watts (20, 35, 50, 75 or 100) with a ____ beam spread (4°, 8°, 25° or 45°) or as noted on drawings/schedules. Lamp(s) shall have a ____ Base (BA15D double contact bayonet or G53 push or screw terminal base) and a 3000-hour average rated life.

Lamp Comparison

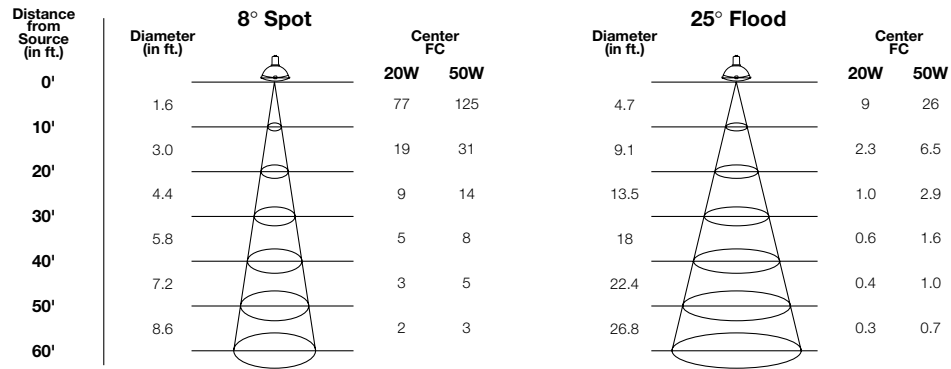
Item Number	Ordering Abbreviation	Watts	Beam Angle	Average Rated Life (hours)	CBCP (cd)
59017	50AR70/SP8	50	8°	3000	15,000
	Brand X 50ALR18/SP10	50	10°	2000	12,000
	Brand X 50PAR20/HAL//SP10	50	10°	2500	6000
55104	50AR111/SP8	50	8°	3000	23,000
	Brand X 50PAR36/H//NSP8	50	8°	4000	30,000
55129	100AR11/SP8	100	8°	3000	48,000
	Brand X 100PAR/H/SP10	100	10°	2000	17,000

Footcandle

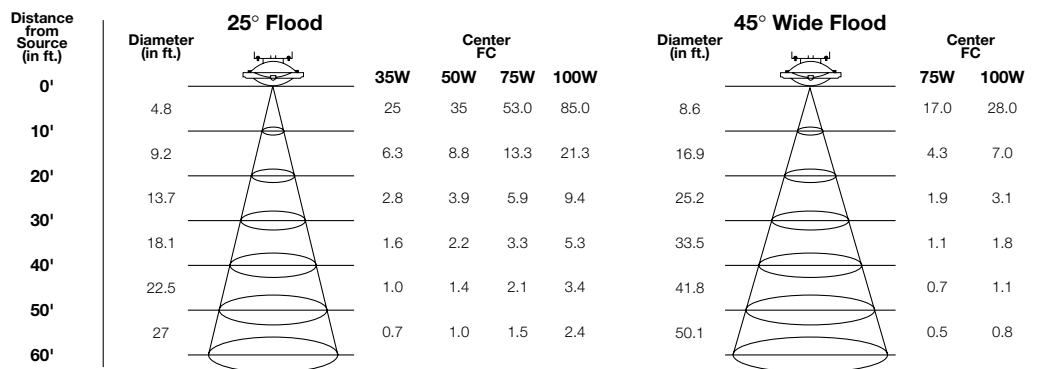
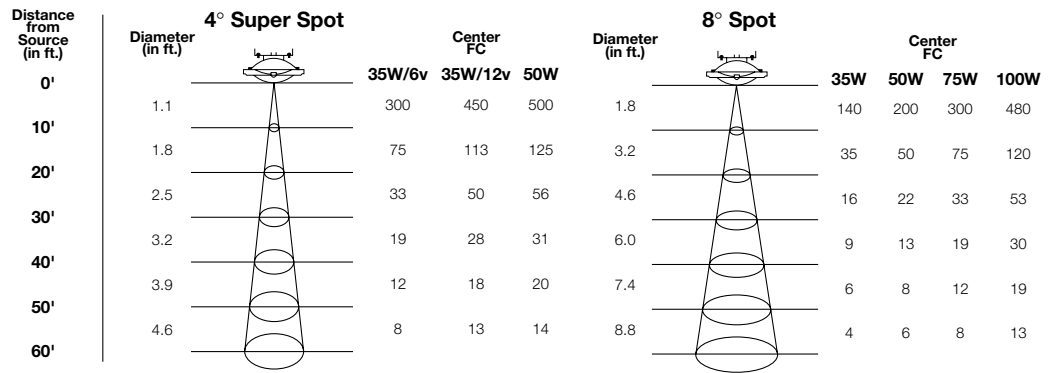
AR70 & AR111 lamps are available in a wide range of beam angles to meet the demand of virtually any display or accent lighting application. For each AR lamp, this table shows how lamp output – in footcandles – varies as a function of distance.

Distance and diameter are measured in feet. Candle power distribution curves are available in IES format at mysylvania.com.

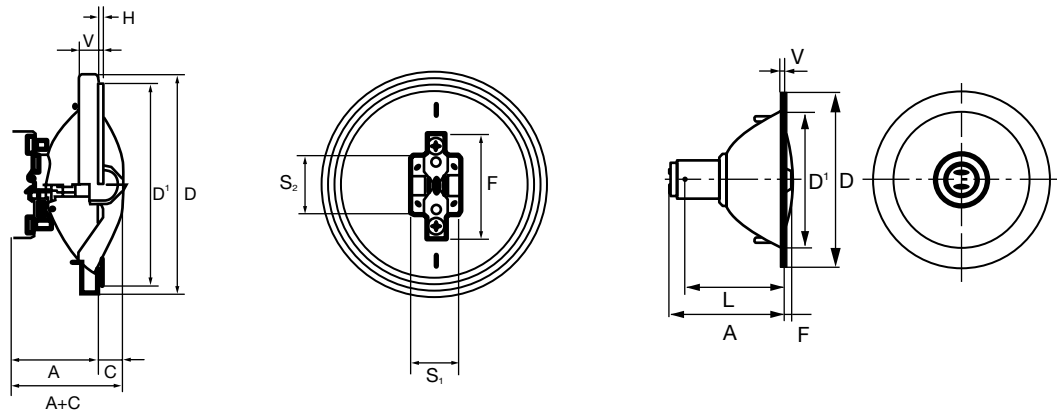
AR70



AR111



Dimensions



	AR111	mm	inch	AR70	mm	inch
Overall length	A + C	60	2.36	A + F	48.5	1.91
Projection of grip cap	C	15±0.5	0.59+0.02	F	3.0 max.	0.12 max.
Length w/o grip cap	A	45±0.4	1.77+0.02	A	45.5 +1	1.79 +0.04
				L	41.0 max.	1.61
Reflector diameter	D	111-0.2	4.37-0.01	D	70.0 ± 0.2	2.75± 0.08
	D ₁	102.5 ±0.3	4.04+0.01	D ₁	59.76	23.53
Thickness of refl. edge	V	9.5+0.5	0.37+0.02	V	1.2	0.05
	H	2.5-0.7	0.98-0.03			
Dim. of ceramic holder	S ₁ xS ₂	25 x 32	9.84 x 1.26			
Distance of contact strips	F	53.2 ± 1	2.09+0.04			

Ordering and Specification Information

Item Number	Ordering Abbreviation	Watts	Volts	Base	Average Rated Life (hrs.)	CBCP (cd)	Beam Angle
59013	20AR70/SP8	20	12	BA15D	3000	7700	8°
59012	20AR70/FL25	20	12	BA15D	3000	900	25°
59017	50AR70/SP8	50	12	BA15D	3000	12,500	8°
59016	50AR70/FL25	50	12	BA15D	3000	2600	25°
55101	35AR111/SSP4/6V	35	6	G53	3000	30,000	4°
55102	35AR111/SSP4	35	12	G53	3000	45,000	4°
55110	35AR111/SP8	35	12	G53	3000	14,000	8°
55114	35AR111/FL25	35	12	G53	3000	2500	25°
55105	50AR111/SSP4	50	12	G53	3000	50,000	4°
55104	50AR111/SP8	50	12	G53	3000	20,000	8°
55103	50AR111/FL25	50	12	G53	3000	3500	25°
55125	75AR111/SP8	75	12	G53	3000	30,000	8°
55123	75AR111/FL25	75	12	G53	3000	5300	25°
55124	75AR111/WFL45	75	12	G53	3000	1700	45°
55129	100AR111/SP8	100	12	G53	3000	48,000	8°
55127	100AR111/FL25	100	12	G53	3000	8500	25°
55128	100AR111/WFL45	100	12	G53	3000	2800	45°

Ordering Guide

20	AR	70	/	SP	10
Wattage	Aluminum Reflector	Diameter		Beam Spread	Beam Angle
20, 35, 50		70 = 70mm		SSP = Super Spot	4° 8°
75, 100		111 = 111mm		SP = Spot	25° 45°
				FL = Flood	
				WFL = Wide Flood	

OSRAM SYLVANIA
National Customer
Support Center
18725 N. Union Street
Westfield, IN 46074

Industrial & Commercial

Phone: 1-800-255-5042
Fax: 1-800-255-5043

National Accounts

Phone: 1-800-562-4671
Fax: 1-800-562-4674

Special Markets

Phone: 1-800-762-7191
Fax: 1-800-762-7192

In Canada
OSRAM SYLVANIA LTD.
Headquarters
2001 Drew Road
Mississauga, ON L5S 1S4

Industrial & Commercial

Phone: 1-800-263-2852
Fax: 1-800-667-6772

Special Markets

Phone: 1-800-265-2852
Fax: 1-800-667-6772

Visit our website: www.sylvania.com

