

CAPSYLITE® PAR14

Halogen Lamps



- 2000-hour average rated life
- High efficiency with a smooth, wide beam
- Crisp, bright halogen light
- High color temperature (2950K)
- Excellent color rendering (100 CRI)
- Smallest line voltage PAR lamp in the industry

ECOLOGIC® is a comprehensive program of OSRAM SYLVANIA focused on addressing environmental issues at all stages of lamp life.



SYLVANIA's exclusive CAPSYLITE PAR14 lamps are sturdy and compact in construction. These lamps are ideal for stand alone decorative applications and for compact line voltage fixtures.

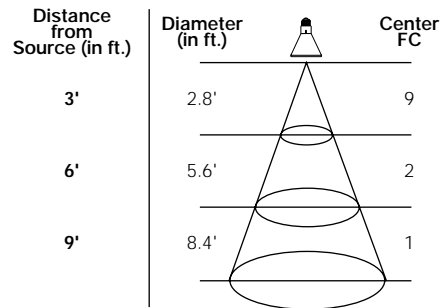
PAR14 CAPSYLITE lamps, the smallest lamps of their kind, offer a precisely molded innovative white ceramic reflector and a bright smooth beam.

The compact size makes PAR14 CAPSYLITE lamps ideal for low ceilings, compact fixtures and curio cases.

The smooth flood reflector is a perfect energy saving replacement for incandescent R14 lamps.

Product Availability

35PAR14/CAP/FL
CBCP: 85 cd
Beam Angle: 50°
Avg. Rated Life: 2000 hours
Light Output: 300 lumens



Lamp Comparison

Lamp Type	Beam Angle	Color Temperature (K)	CBCP (cd)	Lumen (lm)	Life (hours)
35PAR14/CAP/FL50	50	2950	85	300	2000
Incandescent 40R14	—	2850	—	—	1500

Application Information

Applications

Acts as its own fixture in bare sockets
Ideal for micro display and accent applications

Application Notes

1. White porcelain reflector
2. Standard line voltage
3. Medium screw base
4. Diode free
5. Fully dimmable

Fixture Availability

- Recessed
- Track

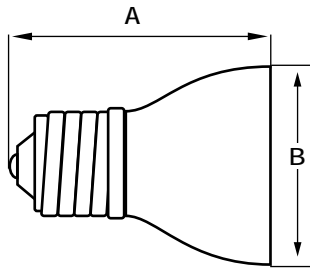
Sample Specification

Lamp shall be CAPSYLITE PAR14 lamp with a 2000 hour average rated life, shall be diode free and employ stabilized coils. Lamp shall be energy efficient and lamp base shall contain no lead solder to make the disposal of used CAPSYLITE lamps easier for the end user.

Ordering and Specification Information

Item Number	Ordering Abbreviation	Watts	Base	Average Rated Life (hrs.)	Volts	CBCP	Beam Angle	Lumens	MOL
14553	35PAR14/CAP/FL50/RP	35	Medium	2000	120	85	50	300	2 7/16
14552	35PAR14/CAP/FL50/BULK	35	Medium	2000	120	85	50	300	2 7/16

Dimensions



	(A) MOL	(B) Bulb Diameter
PAR14	2 7/16	1 3/4

OSRAM SYLVANIA
National Customer
Support Center
18725 N. Union Street
Westfield, IN 46074
Industrial & Commercial
Phone: 1-800-255-5042
Fax: 1-800-255-5043
National Accounts
Phone: 1-800-562-4671
Fax: 1-800-562-4674
Special Markets
Phone: 1-800-762-7191
Fax: 1-800-762-7192

In Canada
OSRAM SYLVANIA LTD.
Headquarters
2001 Drew Road
Mississauga, ON L5S 1S4

Industrial & Commercial
Phone: 1-800-263-2852
Fax: 1-800-667-6772
Special Markets
Phone: 1-800-265-2852
Fax: 1-800-667-6772

Ordering Guide

35 Wattage 35W	PAR14 Parabolic Reflector 14 = 14/8"	/	CAP CAPSYLITE	/	FL Beam Spread FL = Flood	50 Beam Angle 50°
-----------------------------	---	---	-------------------------	---	--	--------------------------------